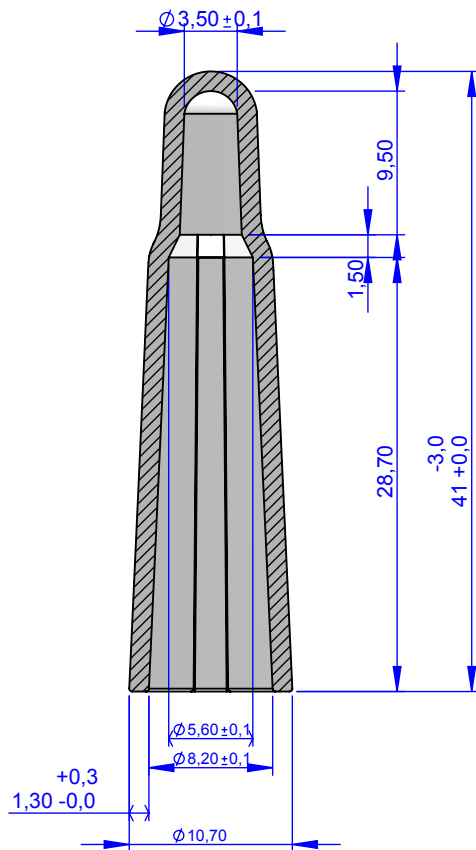
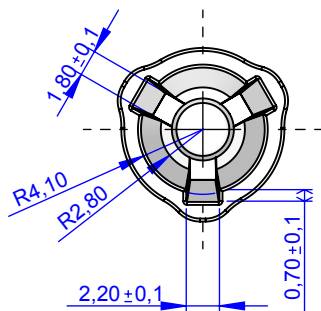


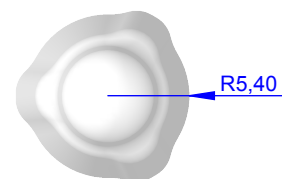
VISTA SEZIONE A:A



VISTA DAL BASSO



VISTA DALL'ALTO



VISTA ISOMETRICA SCALA 1:1



	Name	Sign.	date	Reference	Ster		Title : Capsula Free Vented Cap Fumedica Model
Drawn	Davide		31/7/2017		Eto	✓	
Checked					Steam	X	
Approved	Bruno		31/7/2017		Gamma	✓	
Rev							Article Code: 230.0011 1(Red) 2(Blue) 3(White) 5(Green) 7(Yellow)
Rev							
Rev							
Rev							
Rev							
Weight: gr1,5355				Material	plastisol EF70 ecofashion	Scale	2:1