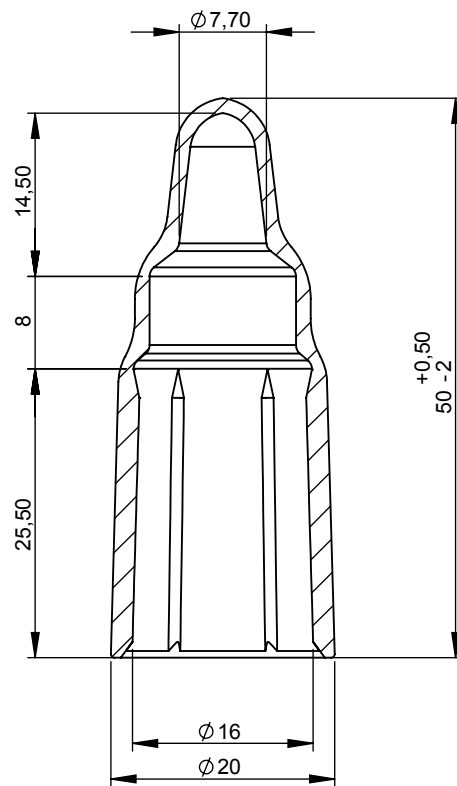
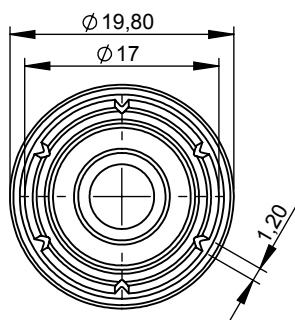


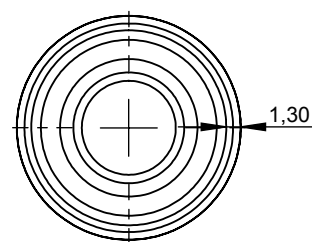
SECTION D-D



BOTTOM VIEW



VIEW FROM ABOVE



ISOMETRIC VIEW SCALE 1:1



	Name	Sign.	date	Reference	Ster		Title : Vented Cap for screw connector
Drawn	Davide		28/03/18		Eto	✓	
Checked					Steam	X	
Approved	Bruno		28/03/18		Gamma	✓	
Rev							Article Code: GLM009502
Rev							
Rev							
Rev							
Rev							
Weight: gr3.01		Material: Plastisol EF70		Scale: 1.5:1			